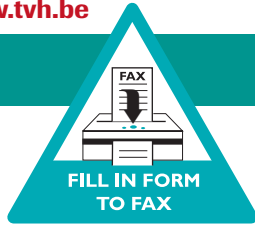




For all our latest catalogue updates and company info: www.tvh.be

NON STANDARD & DIN HOOK TYPE



FAX FORM: FORK REQUEST

FROM:

Company: _____ Contact: _____

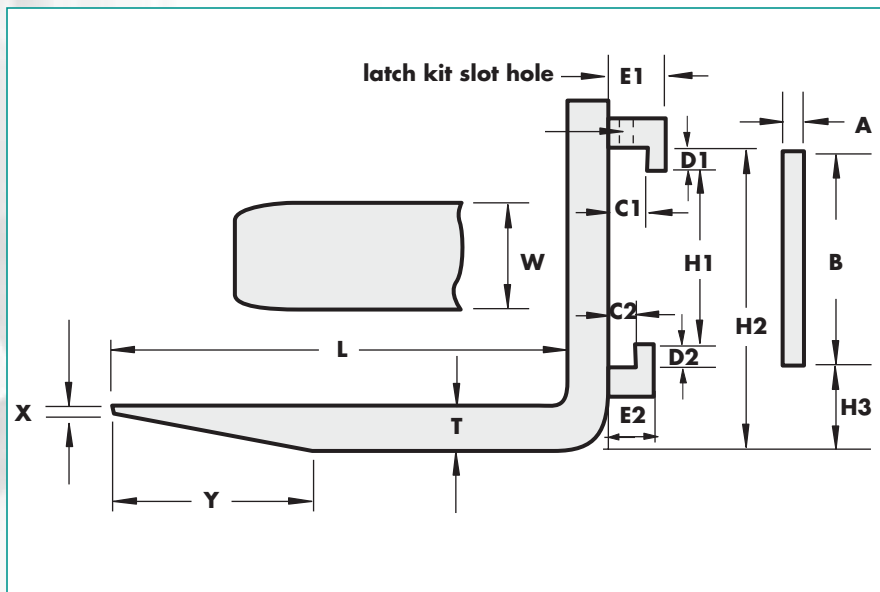
Address: _____

Tel Nr.: _____ Fax Nr.: _____

TRUCK DETAILS:

Make: _____ Type and serial number: _____

Lift Capacity: _____ Application: _____



W: _____ H1: _____ X: _____

T: _____ H2: _____ Y: _____

L: _____ H3: _____

A: _____ C1: _____ D1: _____ E1: _____

B: _____ C2: _____ D2: _____ E2: _____

Latch kit slot hole yes (\emptyset :)
 no

Signed: _____ Date: _____