



SPECIFICATIONS:

Bendi Series III Lift Truck
2,500 lb. Capacity

LANDOLL CORPORATION

1900 North Street • Marysville KS 66508
Phone: 785-562-5381 • Fax: 785-562-4853

B25/42E-180D

STANDARD FEATURES:

- Front-wheel steering
- Four-wheel design
- 180° articulating front end
- Dual rear wheel drive
- Three-stage high visibility mast
- 48-volt electrical system
- GE EV100LX traction motor controller
- Four-function hydraulic control valve
- Hydraulic power steering
- Foot pedal controlled linear accelerator
- Hand parking brake
- Foot pedal controlled hydraulic service brakes
- Driver's overhead guard
- Key switch
- Tow hitch
- Hourmeter

- Battery discharge indicator with lift interrupt
- Ergonomically designed operator compartment
 - Sit down operator position
 - Adjustable vinyl seat
 - Tilt/telescoping steering wheel
 - Hand lever directional control
 - Arm rest
 - Operator supply tray

- Fully articulating front load wheel axle assembly
- Poly load wheels
- Smooth, solid rubber drive tires
- Dual disk brakes with double calipers
- Operator safety seat switch
- Horn
- Brake switch with ramp override

OPTIONAL FEATURES:

- Type EE construction
- Cold storage conditioning
- Overhead guard-mounted headlights
- Overhead flashing warning light
- Flashing back-up light
- Rear safety light package
- Back-up alarm – beeping
- Back-up alarm – talking

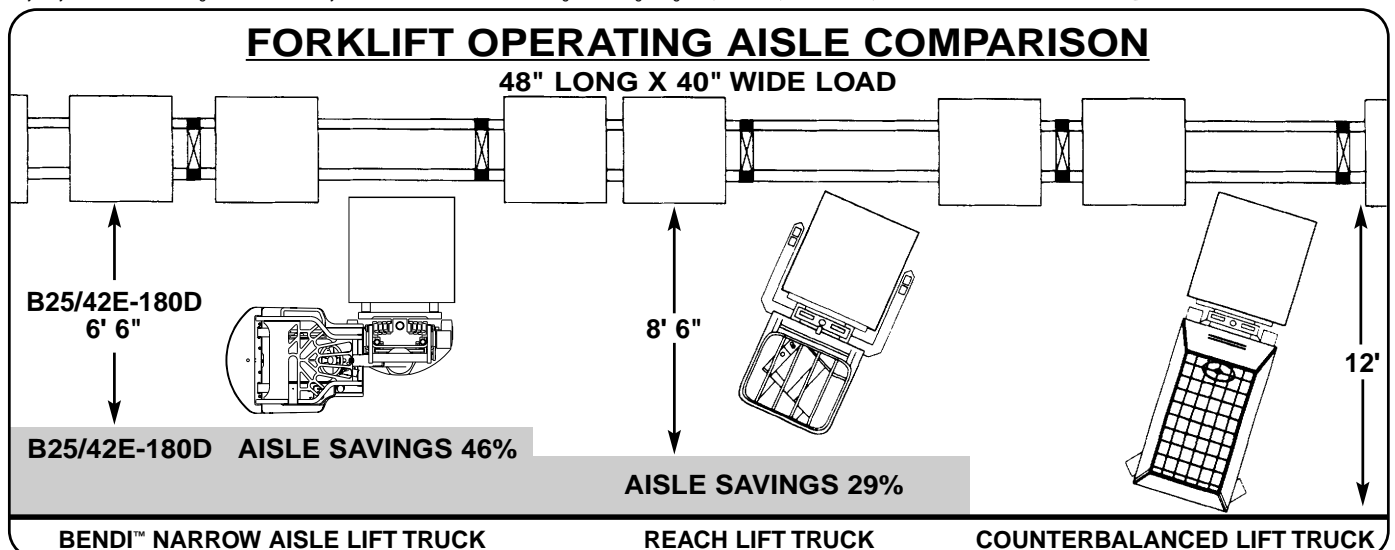
- Non-marking tires
- Fire extinguisher
- Single and dual auxiliary hydraulics
- Side shifter
- Non-standard load backrest
- Battery compartment rollers
- Hydraulic fork positioner
- Roller compartment and/or compartment slides

RECOMMENDED BATTERY SPECIFICATIONS

Battery Type	Volts	Amp Hours	Nominal Size
Wet Cell or Sealed	48V	640-880	27"x38 ¹ / ₂ "x23"

1. Battery compartment inside clear dimension – 27¹/₂"x38³/₄"x23"
2. Minimum battery weight is 2,600 lbs. – Maximum weight is 2,900 lbs.
3. Order battery with SB350 Blue Connector, Exit A; 12" leads; no cover

The specifications contained in this spec sheet are subject to change at any time without notice. Actual dimensions and performance data given herein may vary due to manufacturing tolerances. *Battery size cannot exceed 23" overall height including lifting tabs, terminals, etc. at center; 22" at the sides.



NARROW AISLE FORKLIFT



SPECIFICATIONS:

Bendi Series III Lift Truck
2,500 lb. Capacity

B25/42E-180D

TRUCK DIMENSIONS

B25/42E-180D	E	F	G	H	I	J	K	L	M	N	O	P	Q	R	S	T	U	V	W	X
IN.	7	66	22	95	10	38	87	43	31	4	29	18°	11°	40	48	74	19	43	96	28
CM.	18	168	56	241	25	97	221	109	79	10	74			102	122	188	48	109	244	71

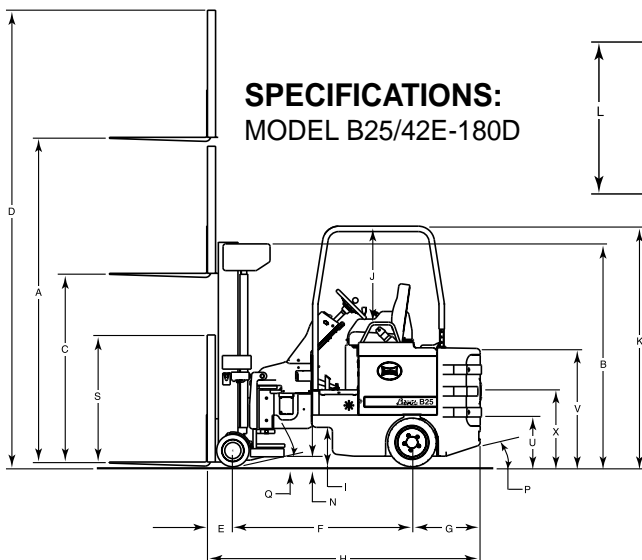
SPECIFICATIONS

		B25/42E-180D		B25/42E-180D
GRADEABILITY	EMPTY	15%	MAST TILT	DEGREES
	LOADED	12%		3° FRWD. 3° BACK
CAPACITY AT 24" L/C	LBS.	2,500	SOLID RUBBER DRIVE	IN.
	KG.	1,134	TIRE (REAR)	CM.
FORK SIZE (STANDARD)	IN.	1.5x4x36	VOLTAGE	48 VOLT
ITA CLASS II CARRIAGE	CM.	3.8x10x91		
LIFT SPEED	EMPTY	90 FT/M / 295 M/M	LOWERING SPEED	EMPTY
	LOADED	70 FT/M / 230 M/M		LOADED
TRUCK WT. W/BATTERY	LBS.	12,190	TRAVEL SPEED	EMPTY
	KG.	5,529		LOADED
POLY LOAD TIRE (FRONT)	IN.	14x5x8	MINIMUM BATTERY WT.	LBS.
	CM.	30x13x20		KG.

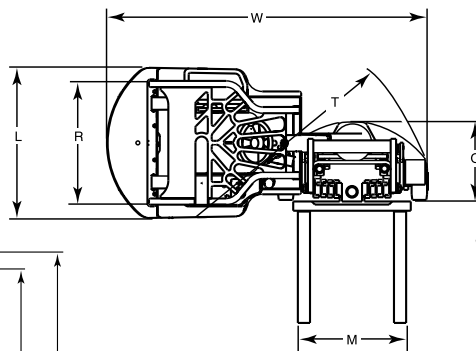
MAST DIMENSIONS

MAST TYPE	A MAX. FORK HEIGHT		B COLLAPSED HEIGHT		C FREE LIFT HEIGHT		D MAX. OVERALL HEIGHT	
	(IN.)	(CM.)	(IN.)	(CM.)	(IN.)	(CM.)	(IN.)	(CM.)
TRIPLE	188	478	83	211	61	155	236	599
TRIPLE	198	503	87	221	65	165	246	625
TRIPLE	216	549	95	241	73	185	264	671
TRIPLE	230	584	101	257	79	201	278	706

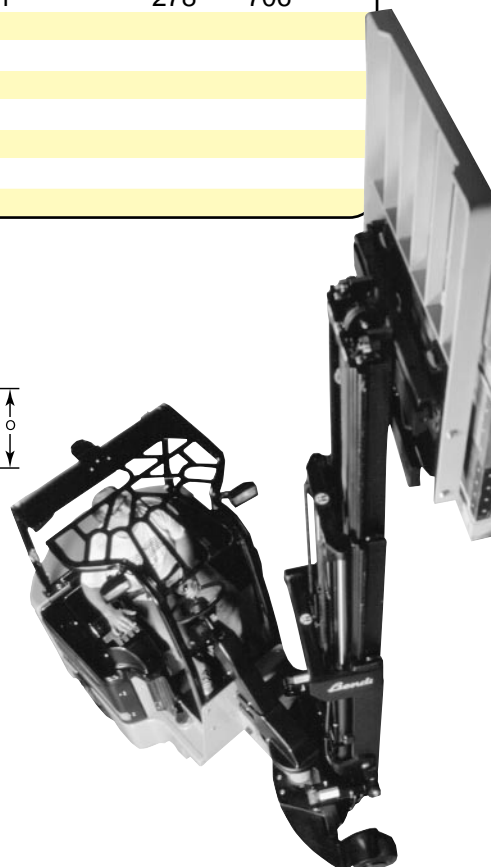
ABOVE DIMENSIONS ARE BASED ON 3" MAST UNDERCLEARANCE.



SPECIFICATIONS:
MODEL B25/42E-180D



Bendi™
SERIES III
NARROW AISLE FORKLIFT



NARROW AISLE FORKLIFT