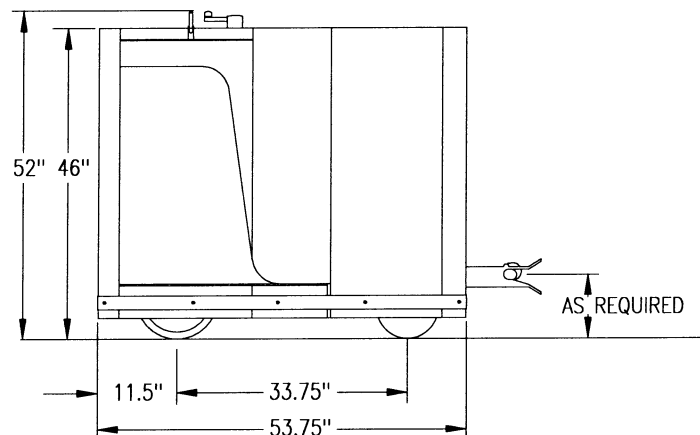
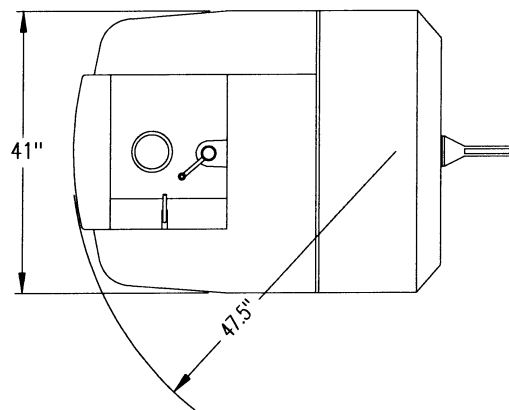




# GREGORY Model RT-EX

## Rider Tugger Explosion Proof Truck

### Specifications for 800 lb. Towbar Pull



- ★ All Gregory Explosion Proof (EX) rated forklifts can be custom designed in accordance with the individual specifications of each customer.
- ★ Specifications on this sheet provide standard dimensions for 800 lb. towbar pull RT model.
- ★ Contact the American Specialty Equipment Sales Department for custom requirements or special hitches.

Classified to U.S. and Canadian Safety Standards by Underwriters Laboratories Inc. for Use in Class I, Divisions 1 & 2, Group D; Class II, Divisions 1 & 2, Group G; and Class III, Divisions 1 & 2 Hazardous Environments. CE Marked to Conform with European Standards.



## Rider Tugger Explosion Proof Truck

<b>General Information</b>	<b>Manufacturer</b>	American Specialty Equipment, Inc.
	<b>Model</b>	Gregory RTEX
	<b>Capacity</b>	800 lb. Towbar Pull, Up to 40,000 lb. Rolling Weight
	<b>Rating</b>	UL Classified Explosion Proof
	<b>Power</b>	24 Volt Electric
	<b>Electric Controls</b>	Transistorized, Solid State Infinitely Variable Programmable Speed, Acceleration and Plugging Capabilities
	<b>Motors (Drive, Power Steering)</b>	Heavy Duty Explosion Proof with Class "H" Insulation, UL Classified
	<b>Hitch</b>	Bronze Alligator Type
	<b>Truck Weight (Less Battery)</b>	1,525 lbs.
	<b>Paint</b>	Safety Yellow
<b>Dimensions</b>	<b>Shown on Front</b>	
<b>Performance</b>	<b>Maximum Travel Speeds</b>	4.8 mph Empty, 3.2 mph Loaded Programmable
	<b>Equal Intersecting Aisle</b>	47.5" Chassis Only
	<b>Right Angle Stacking</b>	60" Chassis Only
	<b>Gradeability</b>	10%
<b>Chassis</b>	<b>Wheels, Drive</b>	(2) 12" x 3.5" Static Conductive Rubber
	<b>Wheels, Load</b>	(2) 6" x 3" High Durometer Polyurethane
	<b>Brake</b>	Deadman Foot Pedal
	<b>Underclearance</b>	2.5" Standard Higher Ramp Underclearances Available
<b>Battery and Charger Requirements</b>	<b>Battery Type</b>	UL Classified Explosion Proof
	<b>Battery Capacity</b>	500 Amp Standard - 620 Amp Available
	<b>Battery Compartment</b>	11.25" x 34.75" x 34.25" Side Removal
	<b>Battery Weight</b>	985 lbs.
	<b>Charger Connector</b>	N2106 Explosion Proof

### \* UL Approved Group C Label Option:

An optional feature of the Gregory Rider Tugger Explosion Proof Truck is a UL Approved Group C Label. Gregory Explosion Proof Group C Labeled Trucks are Classified to U.S. Safety Standards by Underwriters Laboratories for use in Class I, Divisions 1 & 2, Group C Environments.

American Specialty Equipment, Inc. produces a complete line of specialized Material Handling Equipment. Continuous improvements in safety, performance and durability assure customers of a quality forklift designed to meet their specifications.

All vehicles are furnished with UL mandated safety devices and under no circumstances should these devices be removed. Gregory products and specifications are subject to improvements and changes without notice and obligation on prior purchases.

### Standard Features

- 24 Volt System
- Battery Discharge Indicator
- Battery Roller Tray
- Bronze Alligator Hitch
- Bronze Anti-Spark Package
- Electric Horn and Back-Up Alarm Package
- Emergency Power Disconnect
- Fire Extinguisher
- Hourmeter
- Hydrostatic Power Steering
- Polyurethane Load Wheels
- Sight Glass
- Static Conductive Drive Tires
- Transistorized Controls

### Optional Features

- 12 Volt System (shortens wheelbase)
- Custom Designed Hitch
- Epoxy Paint
- Hand Held Analyzer
- On/Off Key Switch
- Remote In-Environment Charging Station
- Stainless Steel Construction
- Strobe Light (pedestal mounted)
- UL Approved Group C Label \*

**Gregory EX Trucks** are Classified to U.S. and Canadian Safety Standards by Underwriters Laboratories Inc. for use in **Class I, Divisions 1 & 2, Group D; Class II, Divisions 1 & 2, Group G; and Class III, Divisions 1 & 2** Environments.

All Gregory EX trucks are classified by UL to the following Standards for Safety:

#### UL 583

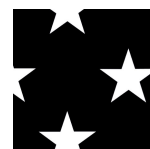
Electric-Battery-Powered Industrial Trucks

#### UL 1203

Explosion Proof and Dust-Ignition-Proof Electrical Equipment for Use in Hazardous (Classified) Locations

#### UL 1604

Electrical Equipment for Use in Class I and Class II, Division 2, and Class III Hazardous (Classified) Locations



**AMERICAN  
SPECIALTY  
EQUIPMENT**

Manufacturer of Gregory Industrial Trucks  
15 Daniel Road Fairfield, NJ 07004-2506  
phone: (973) 882-3190 fax: (973) 808-8398  
web site: [www.exforklifts.com](http://www.exforklifts.com)  
e-mail: [sales@exforklifts.com](mailto:sales@exforklifts.com)